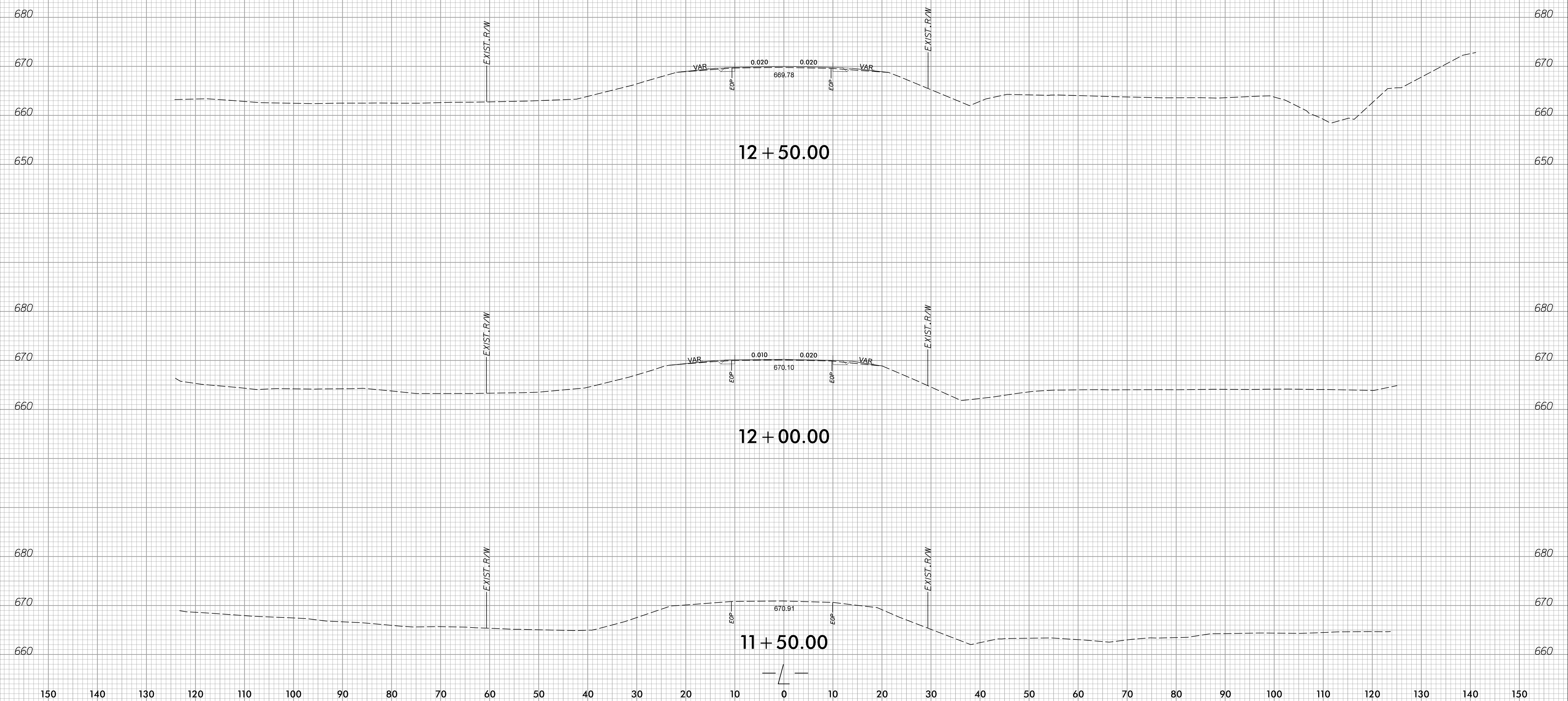


**This electronic collection of documents is provided  
for the convenience of the user  
and is Not a Certified Document –**

**The documents contained herein were originally issued  
and sealed by the individuals whose names and license  
numbers appear on each page, on the dates appearing  
with their signature on that page.**

**This file or an individual page  
shall not be considered a certified document.**

150 140 130 120 110 100 90 80 70 60 50 40 30 20 10 0 10 20 30 40 50 60 70 80 90 100 110 120 130 140 150

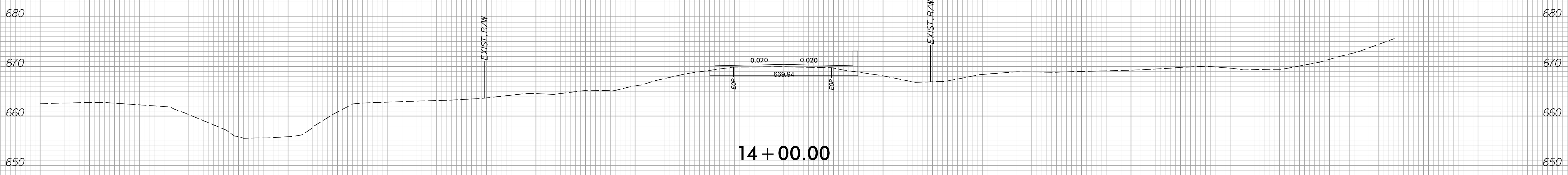


11/9/2021 11:32:42 AM  
 J:\R\2021\17BP.7.R.140 - ROCKINGHAM 239\Xpl\178239T\_rdy\_xpl.dgn  
 J:\R\2021\17BP.7.R.140 - ROCKINGHAM 239\Xpl\178239T\_rdy\_xpl.dgn

150 140 130 120 110 100 90 80 70 60 50 40 30 20 10 0 10 20 30 40 50 60 70 80 90 100 110 120 130 140 150

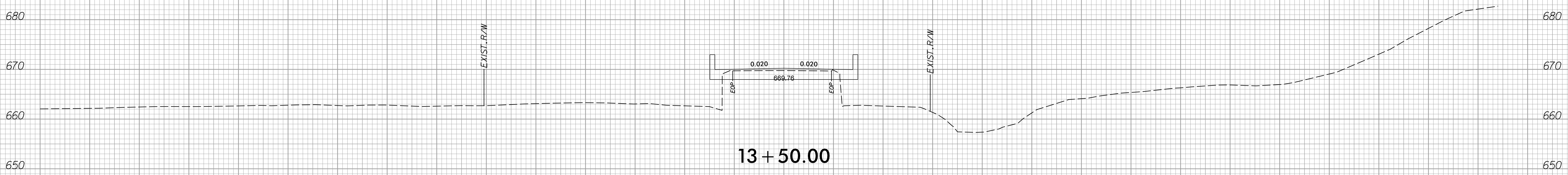
150 140 130 120 110 100 90 80 70 60 50 40 30 20 10 0 10 20 30 40 50 60 70 80 90 100 110 120 130 140 150

**END BRIDGE 14 + 06.16**



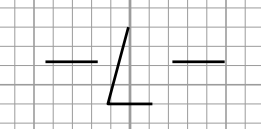
**14 + 00.00**

**BEGIN BRIDGE 13 + 33.84**



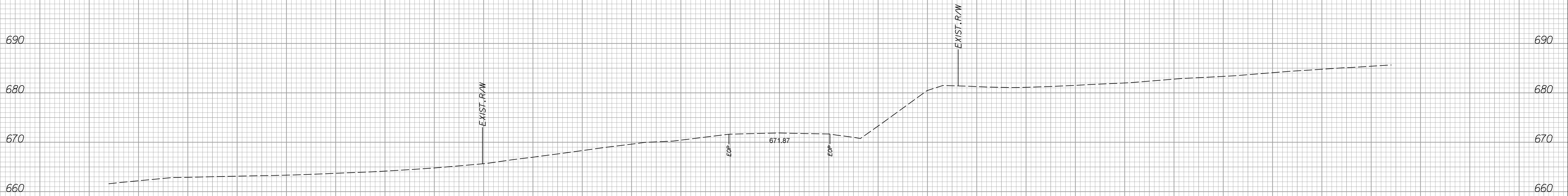
**13 + 50.00**

**13 + 00.00**

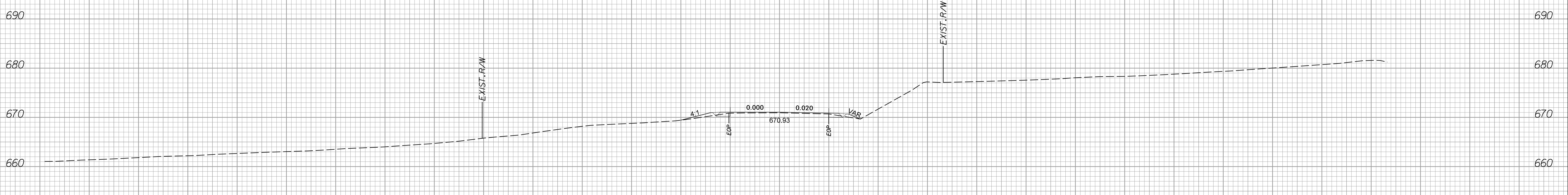


150 140 130 120 110 100 90 80 70 60 50 40 30 20 10 0 10 20 30 40 50 60 70 80 90 100 110 120 130 140 150

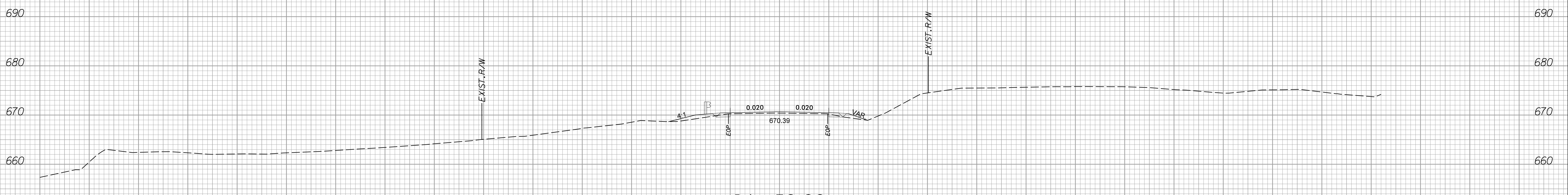
150 140 130 120 110 100 90 80 70 60 50 40 30 20 10 0 10 20 30 40 50 60 70 80 90 100 110 120 130 140 150



15 + 50.00



15 + 00.00



14 + 50.00

